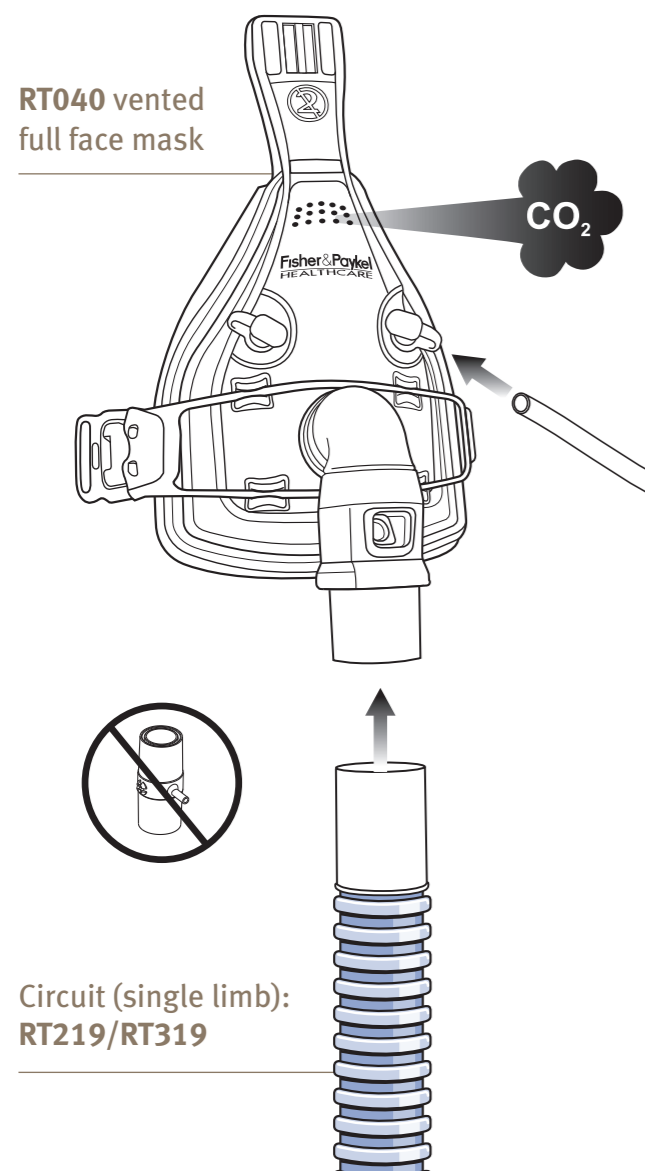


# Noninvasive Positive Pressure Ventilation

Noninvasive Masks | APPLICATION GUIDE

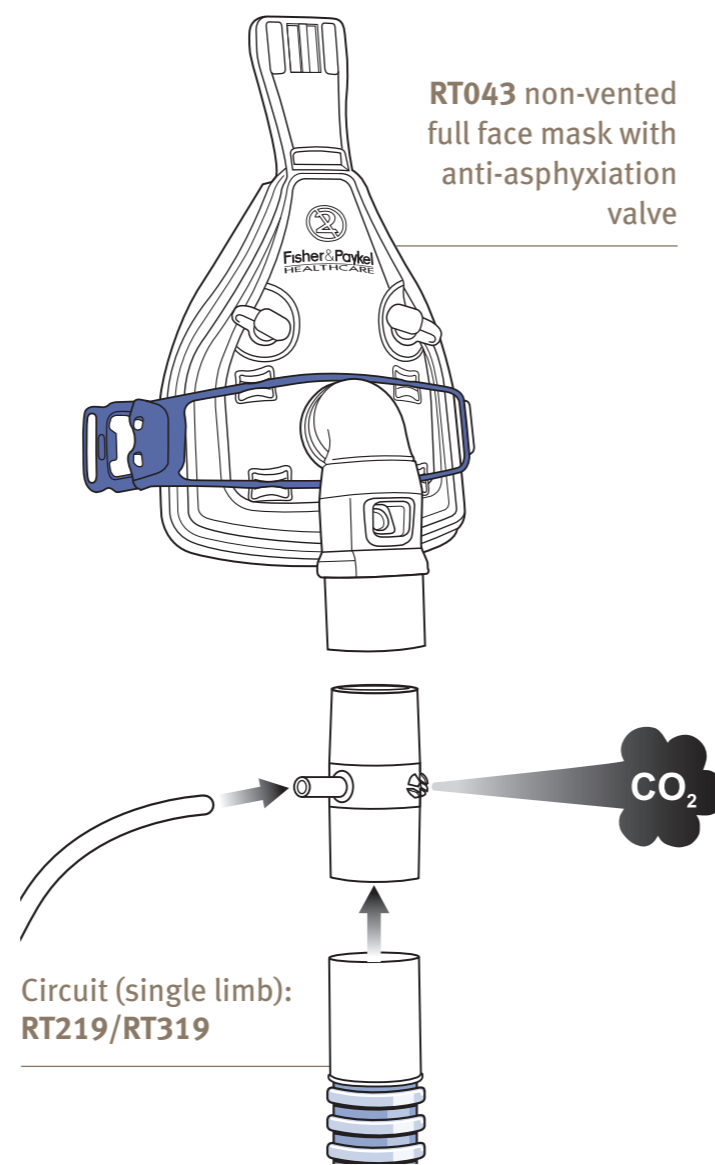
## Vented System: Full Face Mask

Recommended setup



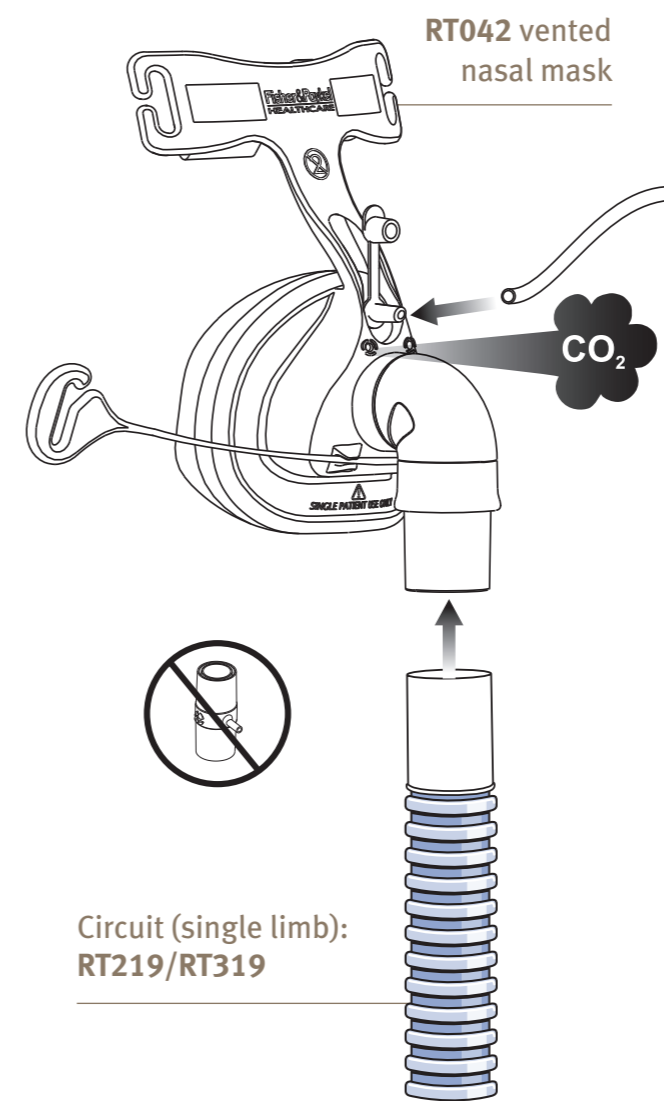
## Vented System: Full Face Mask

Alternate setup



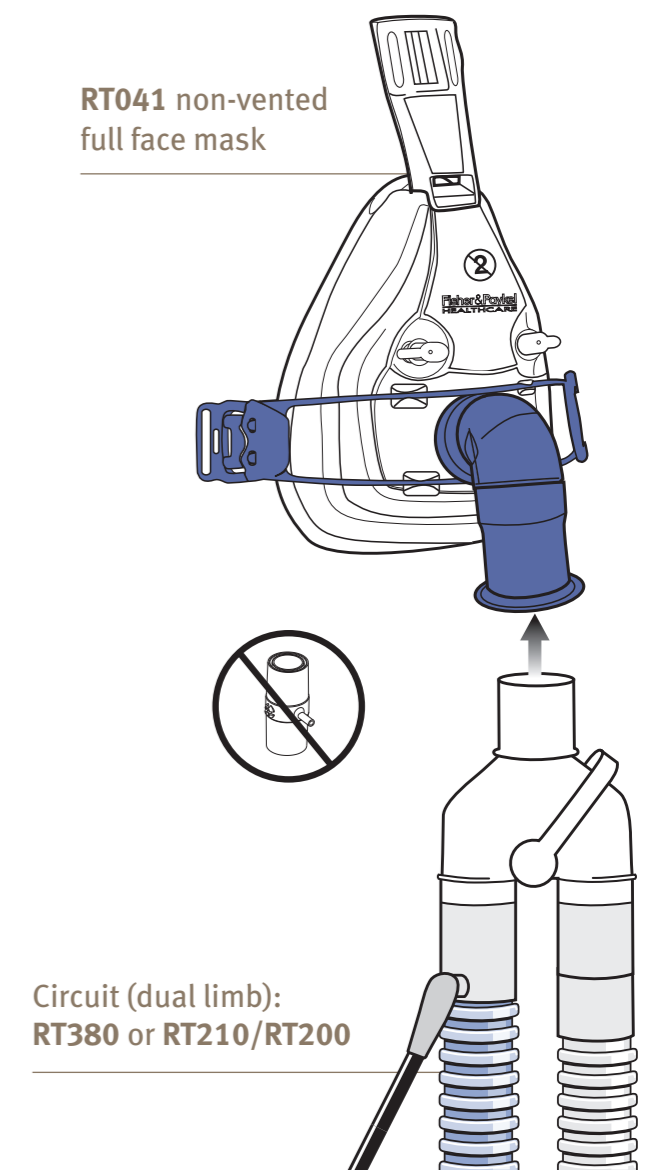
## Vented System: Nasal Mask

Recommended setup



## Non-Vented System: Full Face Mask

Recommended setup



Always refer to the User Instructions supplied with the product for a full list of instructions, warnings, contraindications and explanations. Please note not all products are available in all countries.